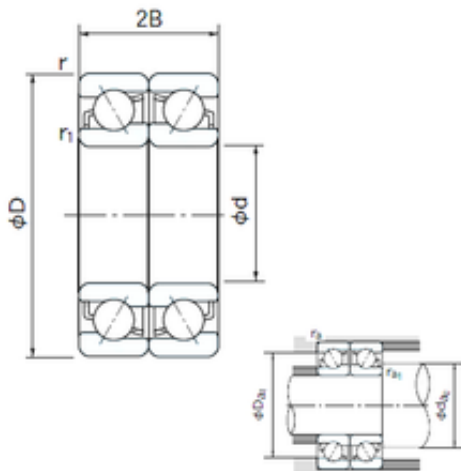




Qingdao Flow Group Limited



100 mm x 215 mm x 47 mm NACHI 7320DF
angular contact ball bearings

Bearing No. 7320DF

7320DF Bearing 2D drawings and 3D CAD models

Size	100x215x47 mm
Bore Diameter	100 mm
Outer Diameter	215 mm
Width	47 mm
d	100 mm
D	215 mm
B	47 mm
C	47 mm
Angle (°)	30 °
a	22.0 mm
r min.	3 mm
r1 min.	1.1 mm
2B	94 mm
da min.	107 mm
Da max.	208 mm
ra max.	1 mm
Weight	8.18 Kg
Basic dynamic load rating (C)	335 kN
Basic static load rating (C0)	380 kN
(Grease) Lubrication Speed	2200 r/min
Bore Type	Cylindrical Bore
Enclosure	Open
Configuration	Duplex
Bore Size	100 mm
Outside Diameter	215 mm



Qingdao Flow Group Limited

Width	47 mm
Fillet Radius/Chamfer	3 mm
r1	1.1 mm
Dynamic Load Rating	335,000 N
Static Load Rating	380,000 N
Limiting Speed - Grease	2,200 rpm
Limiting Speed - Oil	3,000 rpm
da1 (min)	114 mm
da2 (min)	107 mm
Da1 (max)	201 mm
Da2 (max)	208 mm
ra (max)	2.5 mm
ra1 (max)	1 mm