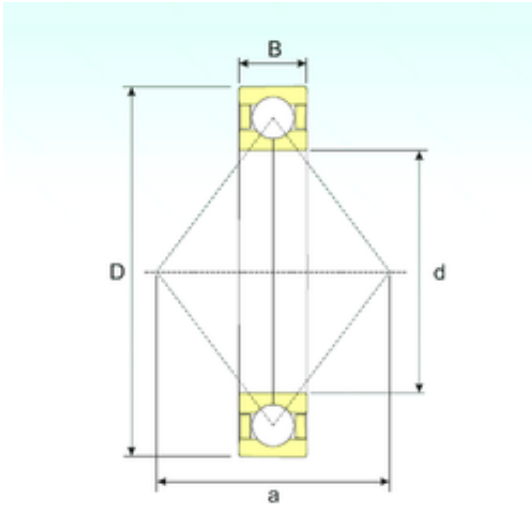




# Qingdao Flow Group Limited



65 mm x 120 mm x 23 mm ISB QJ 213 N2 M  
angular contact ball bearings

Bearing No. QJ 213 N2 M

Size	65x120x23 mm
Bore Diameter	65 mm
Outer Diameter	120 mm
Width	23 mm
d	65 mm
D	120 mm
B	23 mm
C	23 mm
a	65 mm
Weight	1,2 Kg
Basic dynamic load rating (C)	108 kN
Basic static load rating (C0)	109 kN
(Grease) Lubrication Speed	7268 r/min

QJ 213 N2 M Bearing 2D drawings and 3D CAD models