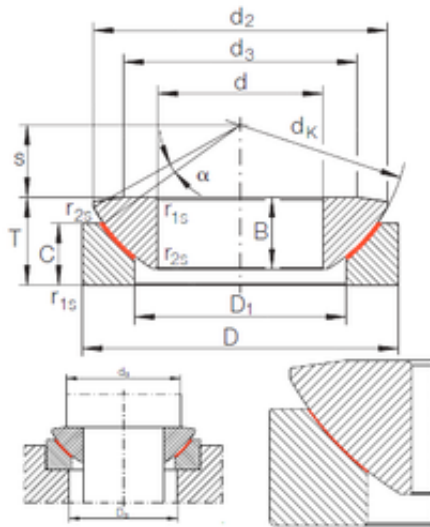




Qingdao Flow Group Limited



260 mm x 430 mm x 95 mm INA GE 260 AW
plain bearings

Bearing No. GE 260 AW

Size	260x430x115 mm
Bore Diameter	260 mm
Outer Diameter	430 mm
Width	115 mm
d	260 mm
D	430 mm
T	115 mm
B	95 mm
C	80 mm
d2	409 mm
d3	336 mm
dk	449 mm
r1 min.	1,5 mm
r2 min.	0,6 mm
D1	317 mm
S	82,5 mm
da max	336 mm
Da min	332 mm
Angle	7 °
Weight	71,3 Kg
Basic dynamic load rating (C)	10810 kN

GE 260 AW Bearing 2D drawings and 3D CAD models