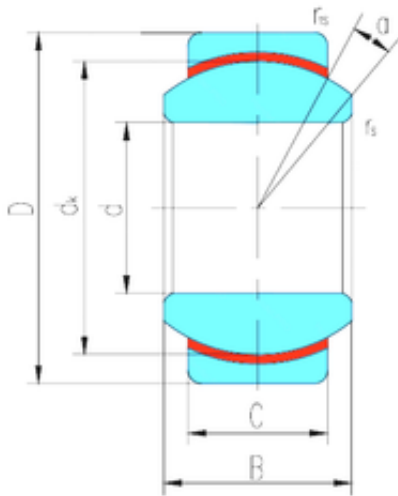




Qingdao Flow Group Limited



12 mm x 22 mm x 10 mm LS GE12N plain bearings

Bearing No. GE12N

Size	12x22x10 mm
Bore Diameter	12 mm
Outer Diameter	22 mm
Width	10 mm
d	12 mm
D	22 mm
B	10 mm
C	7 mm
dk	18 mm
r min.	0,3 mm
r1 min.	0,3 mm
Angle	10 °
Weight	0,017 Kg
Basic dynamic load rating (C)	7,5 kN

GE12N Bearing 2D drawings and 3D CAD models