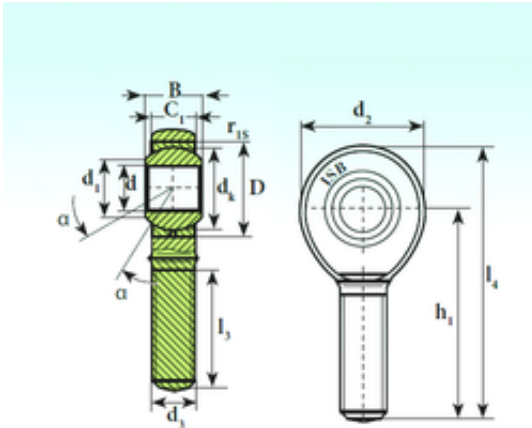




# Qingdao Flow Group Limited



TSM 25 C Bearing 2D drawings and 3D CAD models

## 25 mm x 47 mm x 31 mm ISB TSM 25 C plain bearings

Bearing No. TSM 25 C

Size	25x47x31 mm
Bore Diameter	25 mm
Outer Diameter	47 mm
Width	31 mm
d	25 mm
D	47 mm
B	31 mm
d1	29,5 mm
d2	60 mm
dk	42,85 mm
h1	94 mm
l3 min.	55 mm
l4 max.	124 mm
r min.	0,3 mm
C1	23 mm
Thread (G)	M24x2
Angle	15 °
Weight	0,64 Kg
Basic dynamic load rating (C)	52 kN