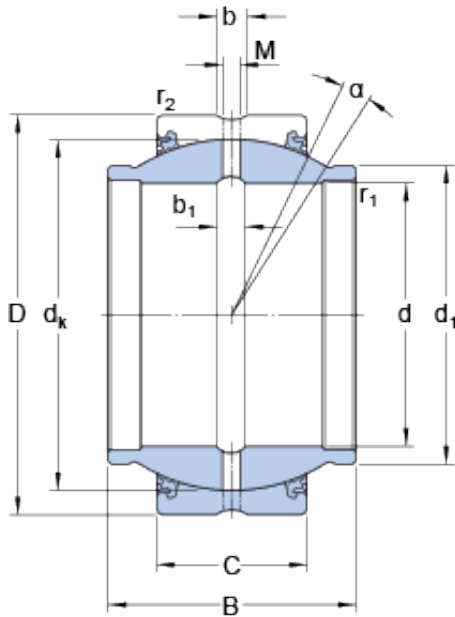




Qingdao Flow Group Limited

25 mm x 42 mm x 29 mm SKF GEM 25 ESX-2LS plain bearings

Bearing No. GEM 25 ESX-2LS



GEM 25 ESX-2LS Bearing 2D drawings and 3D CAD models

Size	42x25x29 mm
Bore Diameter	42 mm
Outer Diameter	25 mm
Width	29 mm
d	25 mm
D	42 mm
B	29 mm
C	16 mm
	4 °
d _k	35.5 mm
d ₁	29 mm
b	3.1 mm
b ₁	3.1 mm
M	2 mm
r ₁ - min.	0.3 mm
r ₂ - min.	0.6 mm
d _a - min.	28.3 mm
d _a - max.	29 mm
D _a - min.	36.9 mm
D _a - max.	39.2 mm
r _a - max.	0.3 mm
r _b - max.	0.6 mm
Basic dynamic load rating - C	72 kN
Basic static load rating - C ₀	240 kN



Qingdao Flow Group Limited

Specific factor dynamic load - K	150 N/mm ²
Specific factor static load - K ₀	500 N/mm ²
Constant - K _M	330
Lubricant	Maintenance free – greased for life
Design (sliding contact surface combination)	Steel/steel
Sealing solution	Triple-lip seals
	4 °
d _k	35.5 mm
d ₁	29 mm
b ₁	3.1 mm
r ₁ min.	0.3 mm
r ₂ min.	0.6 mm
d _a min.	28.3 mm
d _a max.	29 mm
D _a min.	36.9 mm
D _a max.	39.2 mm
r _a max.	0.3 mm
r _b max.	0.6 mm
Basic dynamic load rating C	72 kN
Basic static load rating C ₀	240 kN
Specific dynamic load factor K	150 N/mm ²
Specific static load factor K ₀	500 N/mm ²
Material constant K _M	330
Mass plain bearing	0.12 kg