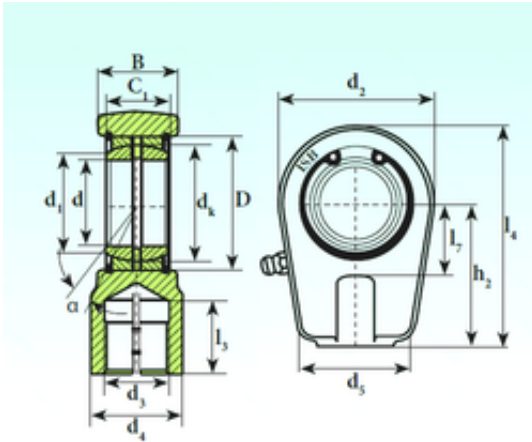




Qingdao Flow Group Limited



40 mm x 62 mm x 35 mm ISB TAPR 440 N plain bearings

Bearing No. TAPR 440 N

Bore Diameter	40 mm
d	40 mm
B	35 mm
d1	45,0 mm
d2	94 mm
d4	49 mm
dk	53 mm
h2	85 mm
l3 min.	36 mm
l4 max.	135 mm
l7 min.	45 mm
C1	28 mm
D	62 mm
Thread (G)	M35x1,5
Angle	7 °
d5	76 r/min
Weight	2,15 Kg
Basic dynamic load rating (C)	100 kN

TAPR 440 N Bearing 2D drawings and 3D CAD models