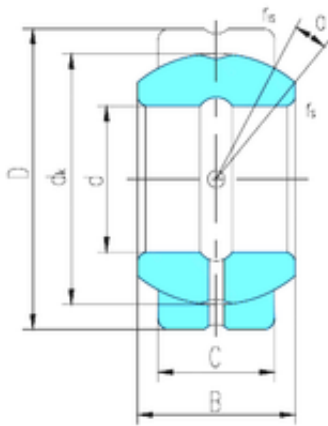




Qingdao Flow Group Limited

139,7 mm x 222,25 mm x 125,73 mm LS GEGZ139ES-2RS plain bearings



Bearing No. GEGZ139ES-2RS

Size	139.7x222.25x125.73 mm
Bore Diameter	139,7 mm
Outer Diameter	222,25 mm
Width	125,73 mm
d	139,7 mm
D	222,25 mm
B	125,73 mm
C	104,775 mm
dk	207 mm
r min.	1 mm
r1 min.	1 mm
Angle	9 °
Weight	20,4 Kg
Basic dynamic load rating (C)	1730 kN

GEGZ139ES-2RS Bearing 2D drawings and 3D CAD models