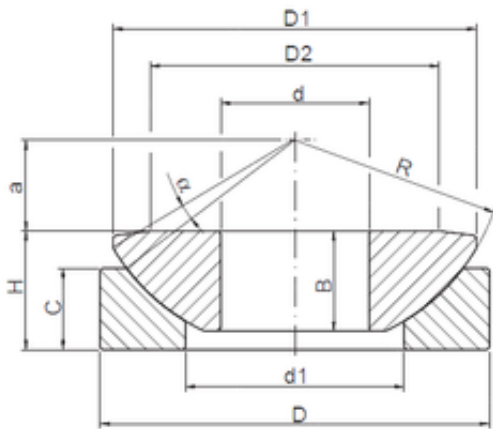




Qingdao Flow Group Limited



100 mm x 210 mm x 50 mm ISO GE100AW
plain bearings

Bearing No. GE100AW

Size	100x210x59 mm
Bore Diameter	100 mm
Outer Diameter	210 mm
Width	59 mm
d	100 mm
D	210 mm
H	59 mm
a	45 mm
d1	133 mm
B	50 mm
C	42 mm
D1	195,5 mm
D2	155 mm
R	220 mm
Angle	7 °

GE100AW Bearing 2D drawings and 3D CAD models