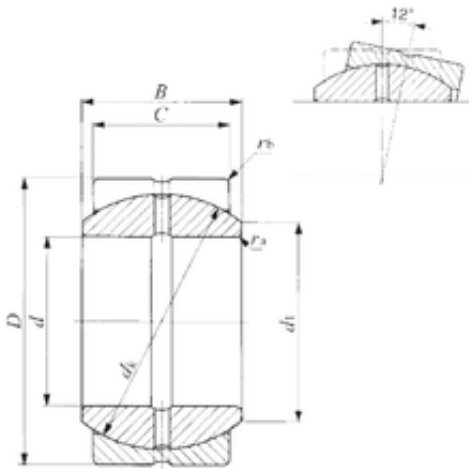




# Qingdao Flow Group Limited

## 152,4 mm x 222,25 mm x 120,65 mm IKO SBB 96 plain bearings



Bearing No. SBB 96

Size	152.4x222.25x120.65 mm
Bore Diameter	152,4 mm
Outer Diameter	222,25 mm
Width	120,65 mm
d	152,4 mm
D	222,25 mm
B	120,65 mm
C	104,78 mm
d1	167,5 mm
dk	207 mm
ra max.	0,8 mm
rb max.	1,1 mm
Weight	17,6 Kg
Basic dynamic load rating (C)	2130 kN

SBB 96 Bearing 2D drawings and 3D CAD models