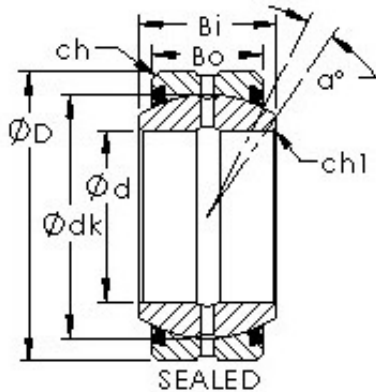




Qingdao Flow Group Limited



AST GEG45ES-2RS plain bearings

Bearing No. GEG45ES-2RS

Bore Diameter	45 mm
Outer Diameter	75 mm
Bearing Type	sealed
Bore Dia (d)	45.0000
Outer Dia (D)	75.0000
Outer Width (Bo)	28.0000
Inner Width (Bi)	43.0000
Dynamic Load Rating (Cr)	156,000
Static Load Rating (Cor)	780,000
Max. shaft corner radius, or 45 deg. chamfer (ch1)	0.600
Max. housing corner radius, or 45 deg. chamfer (ch)	1.000
Spherical Diameter (dk or Dk)	66.000
Mis-alignment Angle (a deg.)	15
Weight (g)	698.00
Material	52100 Chrome steel, or equivalent

GEG45ES-2RS Bearing 2D drawings and 3D CAD models