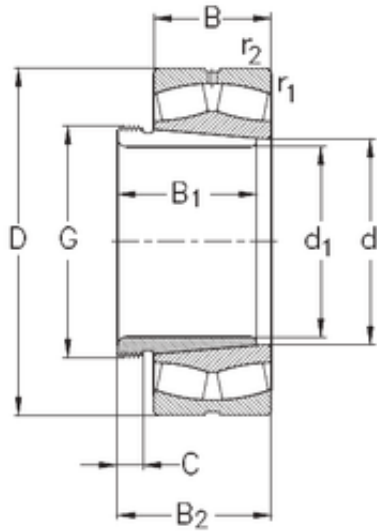




Qingdao Flow Group Limited



220 mm x 370 mm x 120 mm NKE 23144-K-MB-W33+AH3144 spherical roller bearings

Bearing No. 23144-K-MB-W33+AH3144

23144-K-MB-W33+AH3144 Bearing 2D drawings and 3D CAD models

Size	220x370x120 mm
Bore Diameter	220 mm
Outer Diameter	370 mm
Width	120 mm
d	220 mm
d1	200 mm
D	370 mm
B	120 mm
C	120 mm
r1 min.	4 mm
r2 min.	4 mm
B1	145 mm
B2	151 mm
C	23 mm
Thread (G)	Tr 240x4
Weight	75,2 Kg
Basic dynamic load rating (C)	1480 kN
Basic static load rating (C0)	2470 kN
Limiting speed	1700 r/min
Calculation factor (e)	0,32
Calculation factor (Y0)	2
Calculation factor (Y1)	2