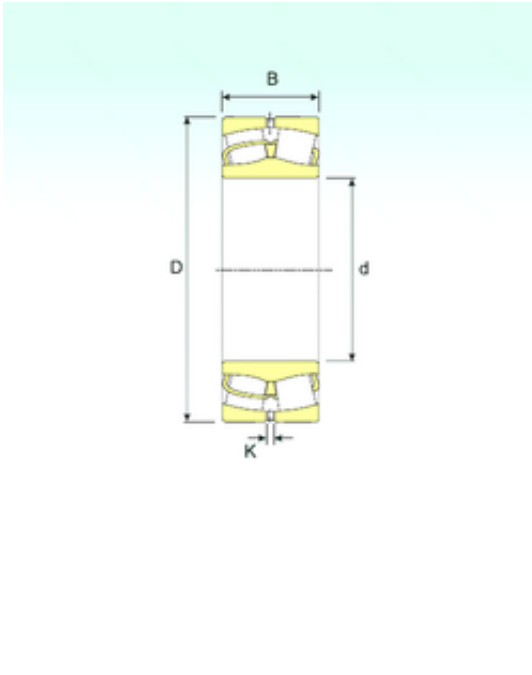




Qingdao Flow Group Limited



23036 Bearing 2D drawings and 3D CAD models

180 mm x 280 mm x 74 mm ISB 23036 spherical roller bearings

Bearing No. 23036

Size	180x280x74 mm
Bore Diameter	180 mm
Outer Diameter	280 mm
Width	74 mm
d	180 mm
D	280 mm
B	74 mm
C	74 mm
K	7,5 mm
Weight	17 Kg
Basic dynamic load rating (C)	813 kN
Basic static load rating (C0)	1225 kN
(Grease) Lubrication Speed	1989 r/min