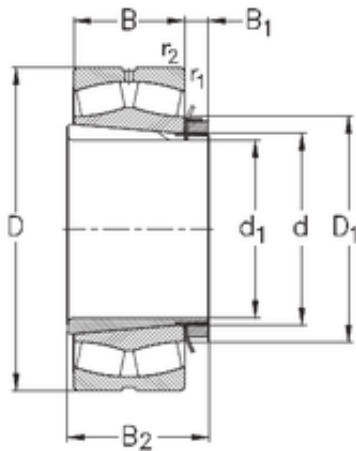




Qingdao Flow Group Limited

95 mm x 170 mm x 43 mm NKE 22219-E-K-W33+H319 spherical roller bearings

Bearing No. 22219-E-K-W33+H319



22219-E-K-W33+H319 Bearing 2D drawings and 3D CAD models

Size	95x170x43 mm
Bore Diameter	95 mm
Outer Diameter	170 mm
Width	43 mm
d	95 mm
d1	85 mm
D	170 mm
B	43 mm
C	43 mm
r1 min.	2,1 mm
r2 min.	2,1 mm
B1	20 mm
B2	68 mm
D1	125 mm
Weight	5,26 Kg
Basic dynamic load rating (C)	346 kN
Basic static load rating (C0)	464 kN
Limiting speed	4800 r/min
Calculation factor (e)	0,23
Calculation factor (Y0)	2,7
Calculation factor (Y1)	2,9