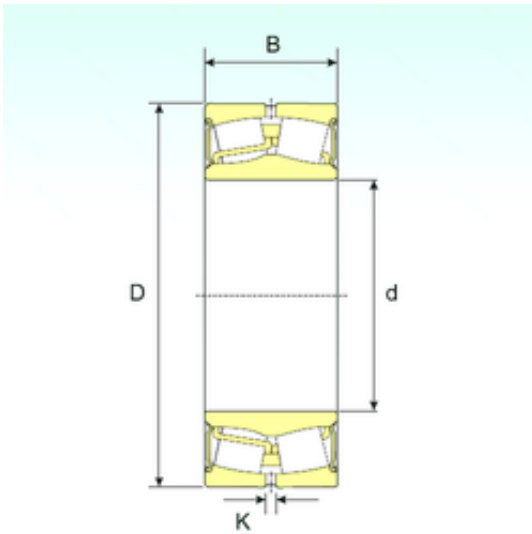




Qingdao Flow Group Limited



130 mm x 200 mm x 52 mm ISB 23026-2RS
spherical roller bearings

Bearing No. 23026-2RS

Size	130x200x52 mm
Bore Diameter	130 mm
Outer Diameter	200 mm
Width	52 mm
d	130 mm
D	200 mm
B	52 mm
C	52 mm
K	4,5 mm
Weight	6 Kg
Basic dynamic load rating (C)	421,4 kN
Basic static load rating (C0)	597,8 kN

23026-2RS Bearing 2D drawings and 3D CAD models