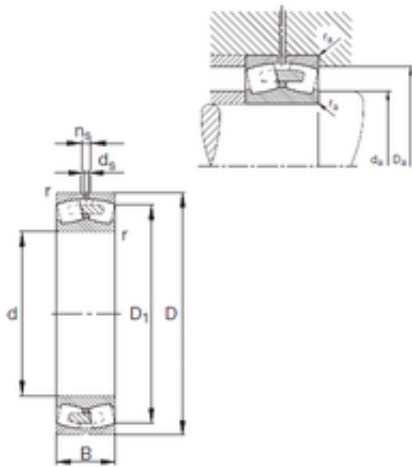




Qingdao Flow Group Limited

300 mm x 540 mm x 140 mm FAG 22260-E1A-MB1 spherical roller bearings



Bearing No. 22260-E1A-MB1

22260-E1A-MB1 Bearing 2D drawings and 3D CAD models

Size	300x540x140 mm
Bore Diameter	300 mm
Outer Diameter	540 mm
Width	140 mm
d	300 mm
D	540 mm
B	140 mm
C	140 mm
n	23,5 mm
r min.	5 mm
D1	470,5 mm
da min.	320 mm
Da max.	520 mm
ra max.	4 mm
d5	12,5 r/min
Weight	140 Kg
Basic dynamic load rating (C)	3100 kN
Basic static load rating (C0)	4250 kN
Fatigue load limit (Pu)	355
Reference speed	920 r/min
Limiting speed	1 540 r/min
Calculation factor (e)	0,25
Calculation factor (Y0)	2,65
Calculation factor (Y1)	2,71
Calculation factor (Y2)	4,04



Qingdao Flow Group Limited