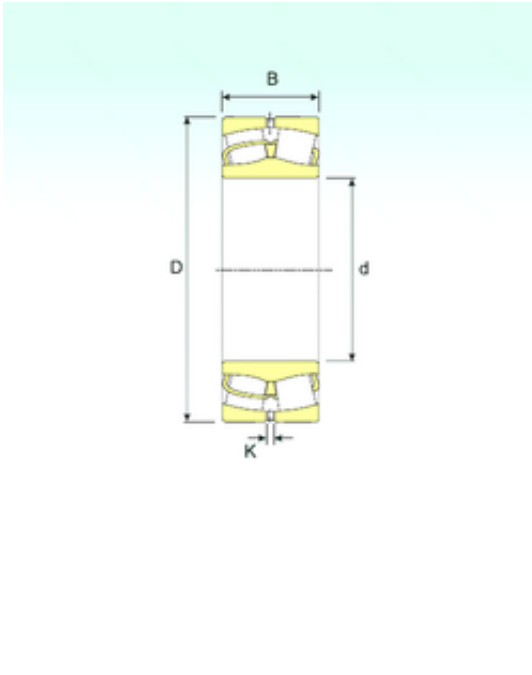




Qingdao Flow Group Limited



23028 Bearing 2D drawings and 3D CAD models

140 mm x 210 mm x 53 mm ISB 23028 spherical roller bearings

Bearing No. 23028

Size	140x210x53 mm
Bore Diameter	140 mm
Outer Diameter	210 mm
Width	53 mm
d	140 mm
D	210 mm
B	53 mm
C	53 mm
K	4,5 mm
Weight	6,55 Kg
Basic dynamic load rating (C)	456 kN
Basic static load rating (C0)	666 kN
(Grease) Lubrication Speed	2601 r/min