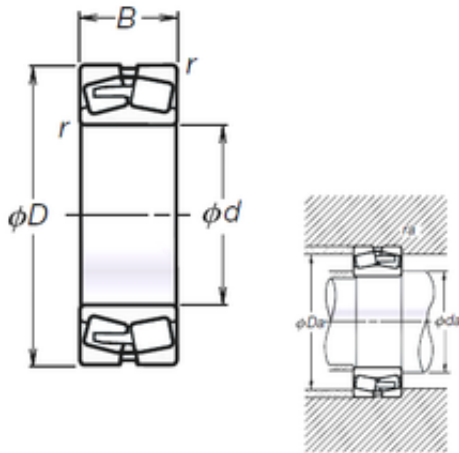




# Qingdao Flow Group Limited

## 45 mm x 85 mm x 23 mm NSK 22209L11CAM spherical roller bearings



Bearing No. 22209L11CAM

Size	45x85x23 mm
Bore Diameter	45 mm
Outer Diameter	85 mm
Width	23 mm
d	45 mm
D	85 mm
B	23 mm
C	23 mm
r min.	1,1 mm
Basic dynamic load rating (C)	78 kN

22209L11CAM Bearing 2D drawings and 3D CAD models