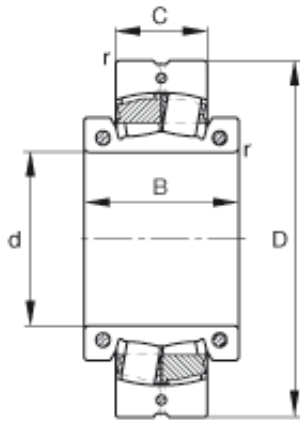




Qingdao Flow Group Limited

7 inch x 340 mm x 150 mm FAG 231S.700 spherical roller bearings



Bearing No. 231S.700

231S.700 Bearing 2D drawings and 3D CAD models

| | |
|--------------------|---|
| Size | 177.8x340x112 mm |
| Bore Diameter | 177,8 mm |
| Outer Diameter | 340 mm |
| Width | 112 mm |
| d | 177,8 mm |
| d | 7 inch |
| D | 340 mm |
| C | 112 mm |
| B | 150 mm |
| r _{min} | 3 mm |
| m | 61,8 kg / Weight |
| C _r | 1010000 N / Dynamic load rating (radial) |
| e | 0,29 |
| Y ₁ | 2,32 |
| Y ₂ | 3,45 |
| C _{0r} | 1540000 N / Static load rating (radial) |
| Y ₀ | 2,26 |
| n _G | 780 1/min / Limiting speed |
| C _{ur} | 119000 N / Fatigue limit load, radial |
| F _{a max} | 22000 N / Permissible axial load, for inner ring without axial abutment |
| M _i | 69 Nm / Tightening torque |



Qingdao Flow Group Limited

| | |
|--|--------------------|
| | per clamping screw |
|--|--------------------|