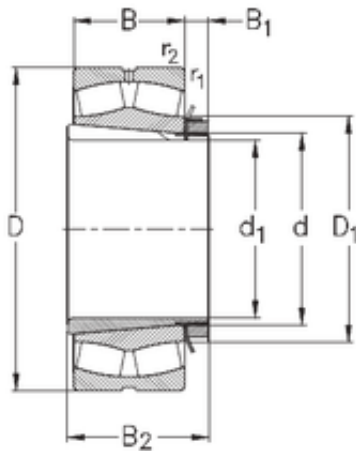




# Qingdao Flow Group Limited

## 340 mm x 520 mm x 133 mm NKE 23068-K-MB-W33+OH3068-H spherical roller bearings

Bearing No. 23068-K-MB-W33+OH3068-H



23068-K-MB-W33+OH3068-H Bearing 2D drawings and 3D CAD models

Size	340x520x133 mm
Bore Diameter	340 mm
Outer Diameter	520 mm
Width	133 mm
d	340 mm
d1	320 mm
D	520 mm
B	133 mm
C	133 mm
r1 min.	5 mm
r2 min.	5 mm
B1	45 mm
B2	187 mm
D1	400 mm
Weight	132 Kg
Basic dynamic load rating (C)	2320 kN
Basic static load rating (C0)	4330 kN
Limiting speed	1300 r/min
Calculation factor (e)	0,25
Calculation factor (Y0)	2,6
Calculation factor (Y1)	2,7