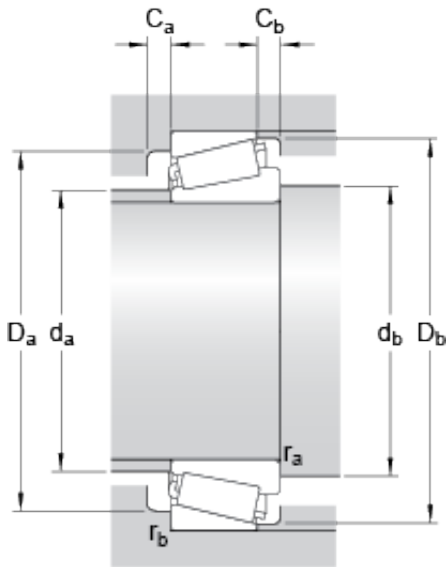




# Qingdao Flow Group Limited

## SKF 32315 J2/Q Taper Roller Bearings 32310, 32312, 32314

Bearing No. 32315



32315 Bearing 2D drawings and 3D CAD models

Dimension series	2GD
d	75 mm
D	160 mm
T	58 mm
d <sub>1</sub>	113.2 mm
B	55 mm
C	45 mm
r <sub>1,2</sub> min.	3 mm
r <sub>3,4</sub> min.	2.5 mm
a	37.765 mm
d <sub>a</sub> max.	92 mm
d <sub>b</sub> min.	88 mm
D <sub>a</sub> min.	133 mm
D <sub>a</sub> max.	149 mm
D <sub>b</sub> min.	149 mm
C <sub>a</sub> min.	7 mm
C <sub>b</sub> min.	13 mm
r <sub>a</sub> max.	3 mm
r <sub>b</sub> max.	2.5 mm
Basic dynamic load rating C	416 kN
Basic static load rating C <sub>0</sub>	440 kN
Fatigue load limit P <sub>u</sub>	51 kN
Reference speed	3200 r/min
Limiting speed	4300 r/min
Calculation factor e	0.35



## Qingdao Flow Group Limited

Calculation factor Y	1.7
Calculation factor $Y_0$	0.9
Mass bearing	5.19 kg