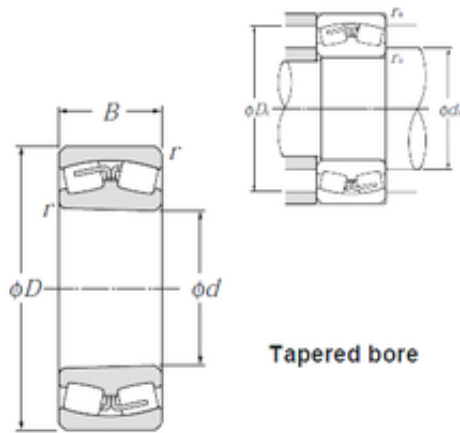




Qingdao Flow Group Limited

231/900BK NTN Spherical Roller Bearings



Bearing No. 231/900BK

Size	900x1420x412 mm
Bore Diameter	900 mm
Outer Diameter	1420 mm
Width	412 mm
d	900 mm
D	1 420 mm
B	412 mm
C	412 mm
r min.	12 mm
da min.	954 mm
Da max.	1 366 mm
ra max.	10 mm
Weight	2 420 Kg
Basic dynamic load rating (C)	16 800 kN
Basic static load rating (C0)	38 000 kN
(Grease) Lubrication Speed	150 r/min
(Oil) Lubrication Speed	200 r/min
Calculation factor (e)	0,28
Calculation factor (Y0)	2,36
Calculation factor (Y1)	2,42

231/900BK Bearing 2D drawings and 3D CAD models